

Solo Rescue®



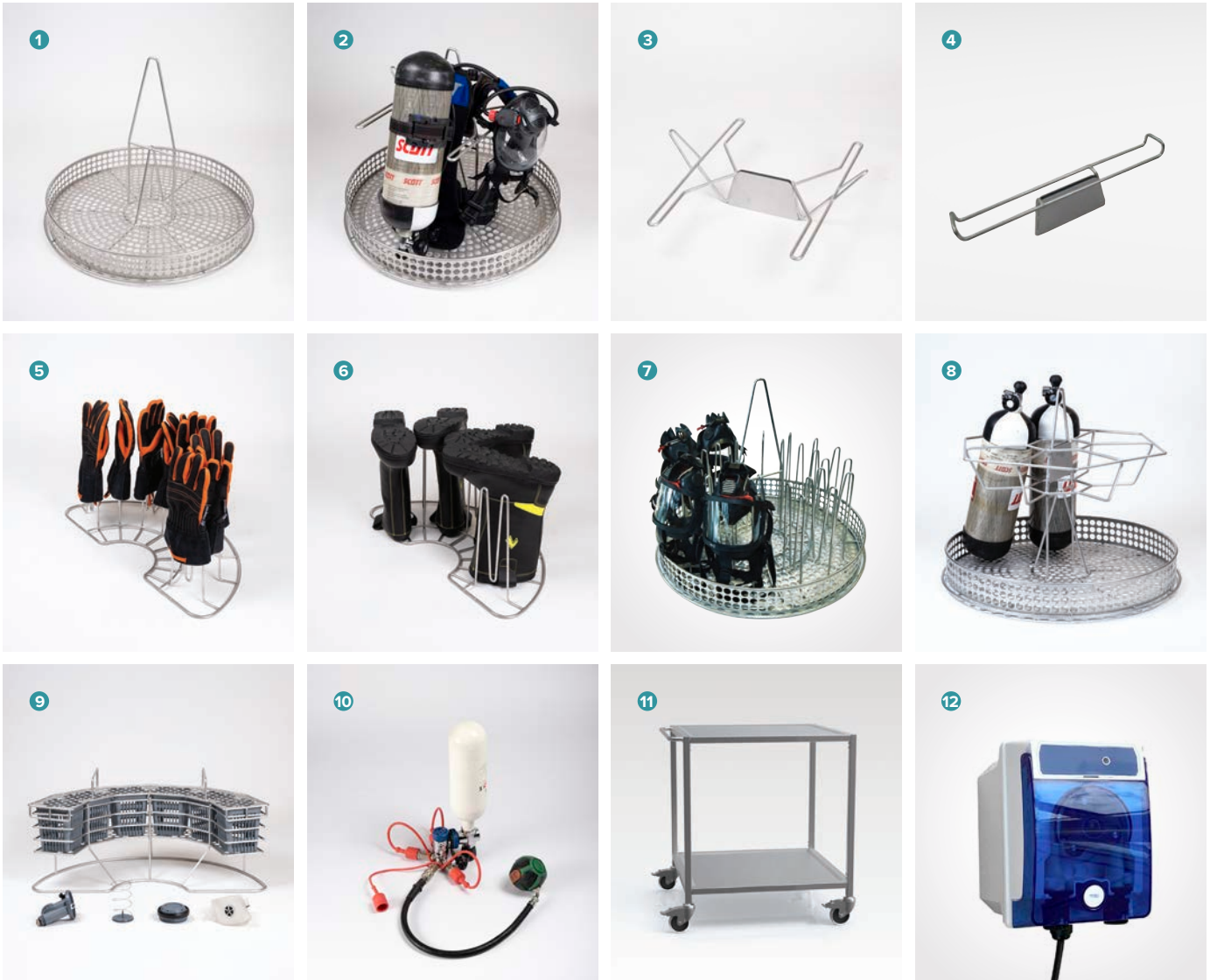
An essential part of every modern fire department's decontamination process



The most versatile and easy-to-use decon washer on the market

The Solo Rescue offers the easiest, quickest, and safest way to clean your contaminated PPE. The easy-to-use control panel lets you choose between a short 3-minute cycle or a longer 8-minute cycle. The spacious design of the Solo Rescue allows you to wash either 2 complete SCBAs, 6 stand-alone air bottles, 8 facepieces, 3 helmets, 3 pairs of boots, or 8 pairs of gloves per wash cycle. On top of that, you can wash small parts, such as regulators and pressure connectors. All of this is possible thanks to the clever design of the Solo Rescue basket system. The backbone of the system is the heavy-duty basket, which is used at all times. This basket can then be paired with several different accessories, making the Solo Rescue the most versatile decon washer on the market.



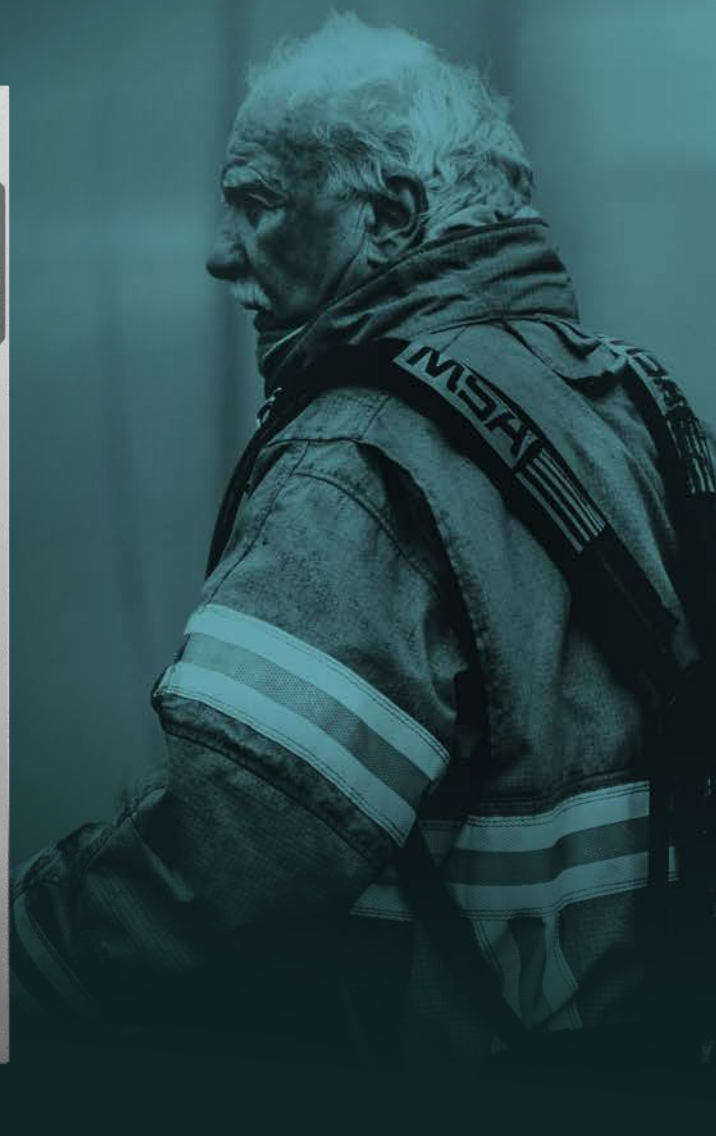


Solo Rescue Accessories

1. **Standard Basket** – Used at all times paired together with other accessories.
2. **Standard Basket paired with SCBA Holder (#22720)** – Makes it possible to place and decontaminate two complete SCBAs at the same time, including facepieces.
3. **SCBA Holder**
4. **SCBA Holder L (#22541)**
5. **Gear Holder (#22361)** – Multi purpose accessory loaded with gloves. Can be combined with an **SCBA Holder** or a **Small Parts Holder (#27430)**.
6. **Gear Holder (#22361)** – Loaded with boots.
7. **Standard Basket (#22720)** paired with **2 Gear Holders (#22361)** – Loaded with facepieces.
8. **Standard Basket** paired with **Air Cylinder Holder (#28645)** – Load up to six air cylinders at the same time.
9. **Small Parts Holder (#27430)** – For the small parts of your PPE such as disassembled breathing valves and regulators.
10. **Pressure insert (#90125)** – Enables washing with pressurised breathing valves. Air cylinder not included.
11. **Trolley (#24637)** – For an ergonomic work process.
12. **Dosing pumps (#20002)** – For dosing of detergent or rinse aid.

Developed to help firefighters fight cancer

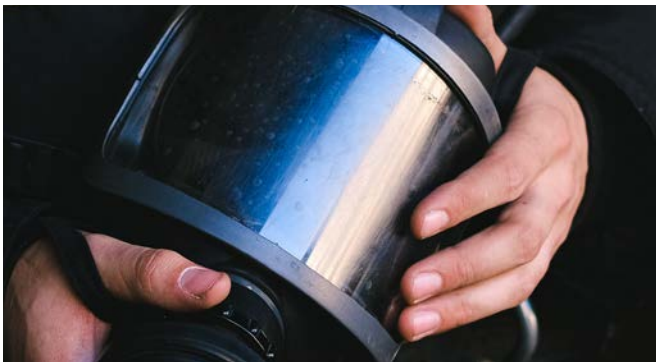
Exposure to hazardous chemicals and carcinogens is a well known health risk for firefighters all over the world. Several studies show that they run a significantly higher risk of being diagnosed with, and dying from, various forms of cancer than the general population. To reduce this dangerous exposure it is essential to thoroughly, safely and efficiently clean and decontaminate all protective equipment after every use. We believe that clean gear saves lives and that is why we developed the Solo Rescue® decon washer. Cleaning gear in the Solo Rescue means less exposure to cancer causing PAH particles and a safer work environment for you and your fellow firefighters.



Optimized cleaning with a unique rotating basket



The generously-sized wash tank of the Solo Rescue is a vital part of its strength. Together with a unique rotating basket system, this provides a design that optimizes the water flow to reach even the most inaccessible parts of your equipment without compromising its function and quality. So whether you are washing SCBAs, facepieces, boots, gloves, helmets, or tools, the Solo Rescue will do an excellent job reducing and extracting dangerous soot particles, chemicals, and detergent residue from your equipment.



Minimize exposure & risk of cross-contamination

While handling fire protective gear it is important to reduce the time of exposure to hazardous toxins and carcinogens. Establishing procedures to handle contaminated gear in a controlled and safe way is one way of minimizing this risk.

With the Solo Rescue the entire cleaning process is carried out inside the machine, ensuring minimum exposure for the operator. It has a lower door that folds out, acting as a loading table when opened. This ergonomic process minimizes manual contact with contaminated materials. Simply put the contaminated equipment inside the machine, close the hatch and start the wash program with just one push of a button.



Optimized work-flow with our free-flow system

To improve the ergonomics of your work and optimize your decontamination work-flow, we recommend you set up a free-flow system using two of our trolleys, specially designed to be used together with the Solo Rescue decon washer, and one extra standard basket. A free-flow system naturally separates your wash area into a clean and a dirty zone and maximizes flow in the decontamination process as it allows for multitasking. By filling or emptying one basket while the other is being decontaminated you will minimize waiting time and speed up the process. This also helps minimize the risk of cross-contamination.



”



My first impression of the Solo Rescue decon washer was impressive. How much it cleaned and decontaminated our old air packs that we had. The water would start out clean and when we washed them it was dirty, I mean it was jet black water.

James Brown, Lieutenant at Huntley Fire Protection District, Illinois.

Huntley Fire Protection District, IL

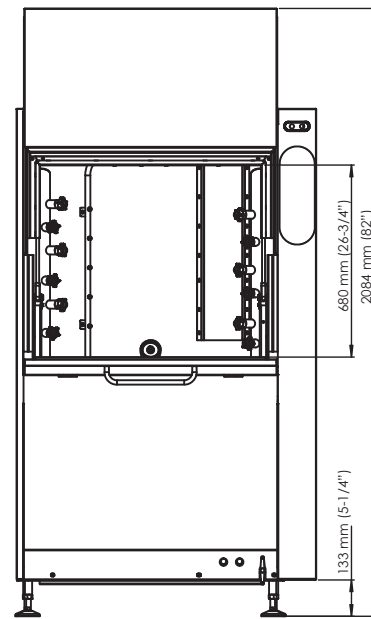
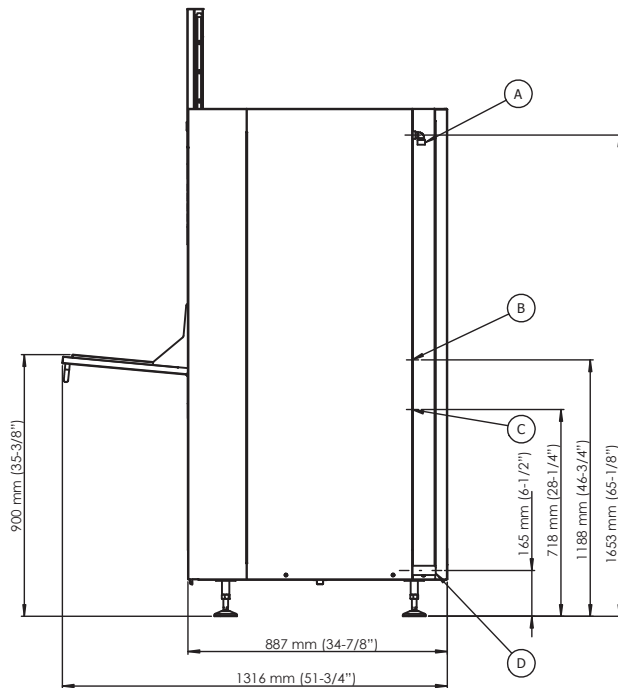
The Huntley Fire Protection District went from cleaning their SCBAs by hand to a modern cleaning solution by installing the Solo Rescue® decon washer as a result of a clear cancer prevention policy.

As a result of an increased knowledge about occupational cancer among firefighters and with the personal experience of losing a colleague and dear friend, the Huntley Fire Protective District decided to do something about it. The first step was to implement a cancer prevention policy that guides the department in how they should work to prevent and minimize the threat of exposure to carcinogens. This includes decontaminating all personal protective equipment after every fire which starts on the scene with a dirty wash. Once

back at the station all PPE should be thoroughly washed and decontaminated which led them to the decision to invest in a Solo Rescue decon washer. After installing the Solo Rescue, they have noticed a changed mindset among the firefighters. “The SCBA washer has changed the Huntley Fire Protection District’s mindset with the guys knowing that when air packs are being decontaminated through the washer it gives them an ease of mind knowing that it is beneficial for them and for the long term of their health.”

Technical specification

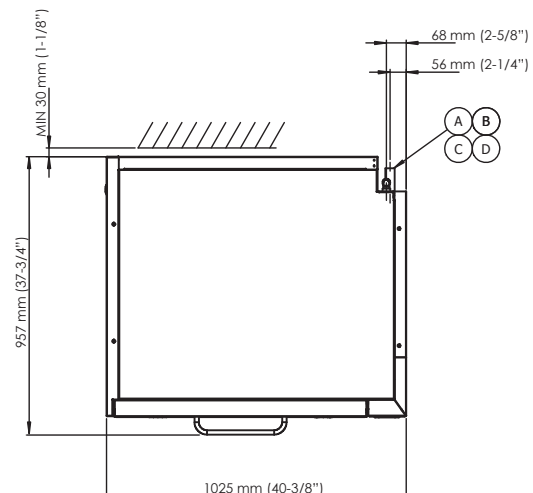
External dimensions closed (W x D x H)	40" x 38" x 69" (1025 x 887 x 1744 mm)
External dimensions open (W x D x H)	40" x 52" x 82" (1025 x 1316 x 2084 mm)
Weight (empty unit)	525 lbs (238 kg)
Power supply	208 V / 240 V 3-phase, 60 Hz, 40 A
Water supply	G3/4" (BSPP) male connection, max 104°F (40°C). Cold water connection will prolong startup time.
Water hardness	3–10 gpg (3–10°dH)
Incoming water pressure	14.5–87 psi (1–6 bar), 8 gallons (15 liters)/min
Drain outlet	Pipe Ø 1 1/4" (32 mm) in OD
Minimum drain capacity	13.2 gallons (50 liters)/min. The machine should not be placed directly over the drain
Wash tank volume	28.5 gallons (108 liters)
Water rinse volume	1.6 gallons (6 liters)



Installation drawing

- A. Water connection
- B. Detergent connection
- C. Electrical connection
- D. Drain

Important Note: All dimensions from floor +/- 1" due to adjustable feet.





RESCUE
INTELLITECH

Helping Firefighters Fight Cancer

rescueintellitech.com

RESCUE Intellitech disclaims any and all liability for any injury to persons, property, or other damages of any nature whatsoever resulting from the misuse of the Solo Rescue that does not correspond with the washing instructions of each individual PPE manufacturer.

Rev. 1.2023 | RESCUE Intellitech reserves the right to make technical changes to the product. | No responsibility will be accepted for any printing errors.